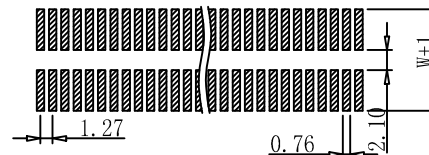
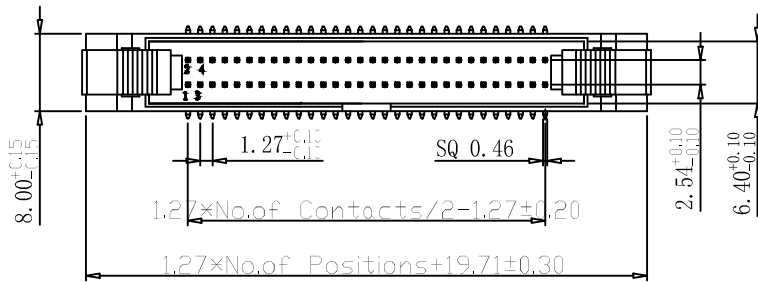


HSF

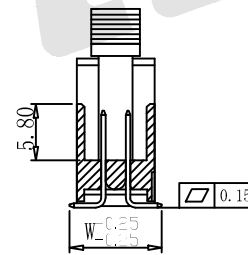
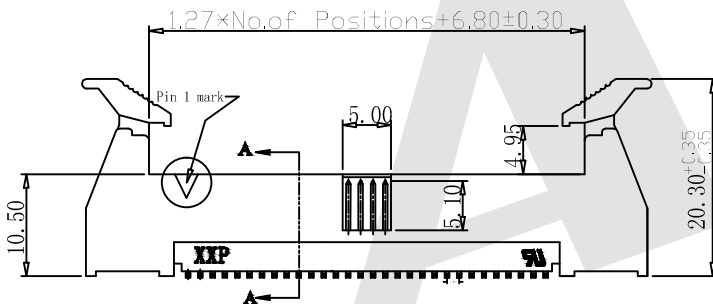


SPECIFICATION

Current Rating: 1.0Amp
 Insulation Resistance: 1000MΩ min
 Contact Resistance: 20MΩ max
 Withstand Voltage: 500V AC/DC
 Operating Temperature: -40°C to +105°C
 Contact Material: Brass
 Contact Plating: Au or Sn Over Ni
 Insulator Material: PA6T+30%GF UL 94V-0



Recommended P.C.B Layout (Top Side)
 (PCB BOARD TOLERANCE ±0.05)



Section "A-A"

Ordering Code:

LHBM01 - X - X - X - X - X
 ① ② ③ ④ ⑤ ⑥

- ① Series No:
- ② No. of Contacts:
 - 10 12 14
 - 16 20 24
 - 26 30 32
 - 34 40 44
 - 50 60 64
 - 80 100
- ③ Contact Plating:
 - G0:Gold flash S0:Selective
 - G1:3U" Gold S1:Selective 3u"
 - G2:5u" Gold S2:Selective 5u"
 - G3:10u" Gold S3:Selective 10u"
 - G4:15u" Gold S4:Selective 15u"
 - G5:30u" Gold S5:Selective 30u"
 - SN:Tin
- ④ Color Insulator:
 - B:Black
 - U:Blue
 - W:White
- ⑤ Insulator Material:
 - B:PA6T
 - C:LCP
- ⑥ Packing:
 - A:Tray
 - T:Tube

| | | | |
|---------------------------|------|--------------------------------------|--------------|
| Dimension antitheses List | | Unless Otherwise specified tolerance | |
| ITEM | W | X. ±0.35 | X.XX: ±0.20 |
| Standard | 9.50 | X.X: ±0.25 | X.XXX: ±0.15 |
| Alternate | | SCALE: | UNIT: |
| | | As Shown | mm |

Antenk ANTEK ELECTRONICS CO., LTD
 Http://www.antenk.com
 E-mail:sales@antenk.com

DRAW YG ZHONG DATE 01/05/2016
 CHECK BobYang DATE 01/05/2016

TITLE:
 1.27*2.54mm Ejector Header SMT



DRAWING NO: LHBM01-XXXXX
 PRODUCT NO: LHBM01-XXXXX

| | | |
|-----|-------------|------|
| REV | DESCRIPTION | DATE |
| | | |
| | | |
| | | |