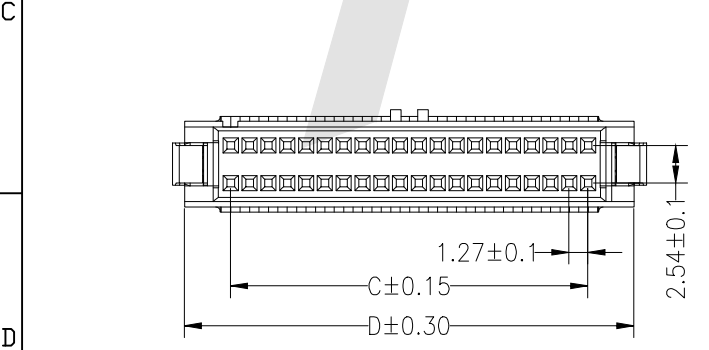
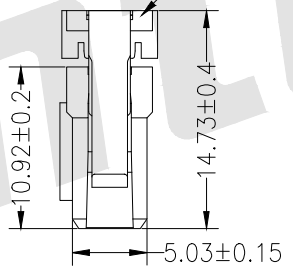
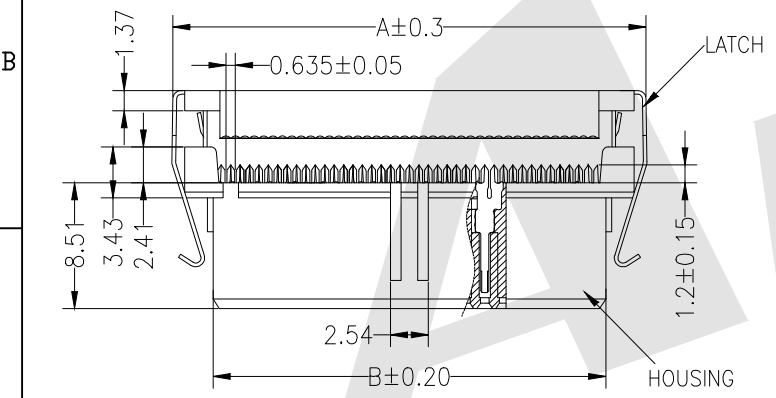


TERMINATED VIEW



NO.OF.PINS	A	B	C	D
10	12.95	7.47	5.08	11.30
14	15.49	10.01	7.62	13.84
16	16.76	11.28	8.89	15.11
20	19.30	13.82	11.43	17.65
24	21.84	16.36	13.97	20.19
26	23.11	17.63	15.24	21.46
30	25.65	20.17	17.78	24.00
34	28.19	22.71	20.32	26.54
40	32.00	26.52	24.13	30.35
44	34.54	29.06	26.67	32.89
50	38.35	32.87	30.48	36.70
60	44.70	39.22	36.83	43.05
64	47.24	41.76	39.37	45.59
80	57.40	51.92	49.53	55.75
100	70.10	64.62	62.23	68.45

SPECIFICATIONS
 Rated Current:1.0AMP
 Contact Resistance:30mΩ Max
 Withstand Voltage:500V AC/DC
 Insulation Resistance:1000MΩ Min
 Operation Temperature:-40°C to +105°C

Contact Material:Phosphor Bronze
 Contact Plating:Au Over Ni
 Latch Material:Stainless Steel
 Insulator Material:Polyester(UL94V-0)
 Standard: LCP
 Max.Processing Temp: 230°C for 30-60 seconds
 (260°C for 10 seconds)

Ordering Code:
 FCBI02 - X - X - X - X
 ① ② ③ ④ ⑤

- ① Series No:
10 14 16
20 24 26
30 34 40
50 60 70
80 100
- ④ Color Insulator
B:Black
G:Grey
- ⑤ Packing
A:Tray
B:Bag
C:Tube
D:Tape Reel

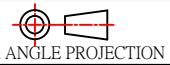
- ③ Contact Plating:
S0: Selective 1u"
S1: Selective 3u"
S2: Selective 5u"
S3: Selective 10u"
S4: Selective 15u"
S5: Selective 30u"

Unless Otherwise specified tolerance
 X.±0.35 X.XX:±0.20
 X.X:±0.25 X.XXX:±0.15



SCALE: As Shown UNIT: mm
 DRAW: Mo Guo Xuan DATE: 22/10/2018
 CHECK: BobYang DATE: 22/10/2018

TITLE:
 FCBI02 1.27x2.54mm IDC Socket with stainless steel butterfly



DRAWING NO: FCBI02-XXXX
 PRODUCT NO: FCBI02-XXXX

REV	DESCRIPTION	DATE
1		