

HSF



ROHS

NOTE:

1. MATERIAL:

- a. HOUSING: PA66
- b. CONTACT: PHOSPHOR BRONZE
(SURFACE PLATING: Sn 100u"-120u")

2. ELECTRIC:

- a. CONTACT RESISTANCE: 30 mΩ MAX
- b. INSULATION RESISTANCE: 1000 mΩ MIN
- c. DIELECTRIC VOLTAGE: 500V AC ONE SEC LEVEL
- d. OPERATING TEMPERATURE: -25°C ~ +85°C

Order code:

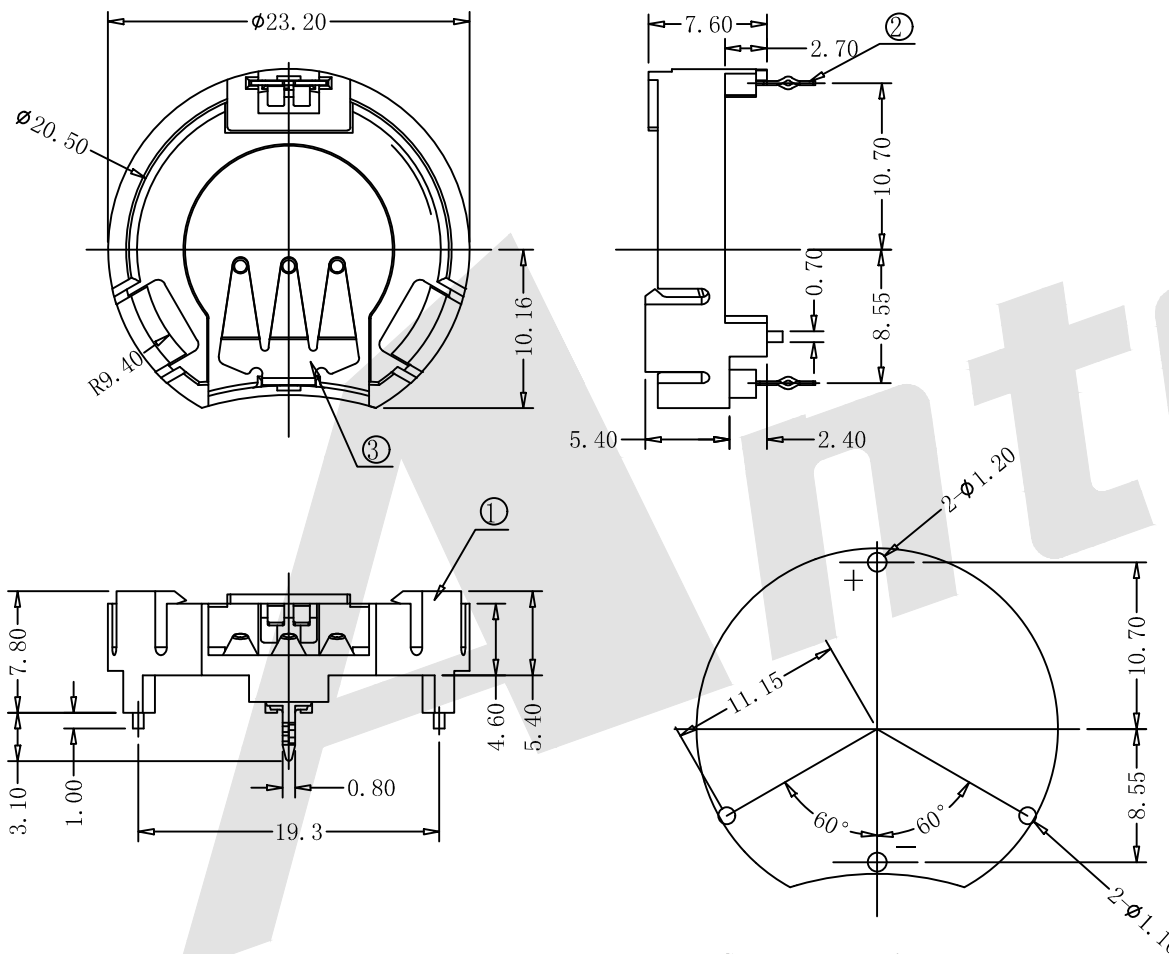
BT — S — SN — R — CR2032W
 ① ② ③ ④ ⑤

① BT: Coin Cell Holders ③ Contact Plating
 SI: NICKEL Plated
 SN: Tin

② Apperance for the product
 M: SMT TYPE
 S: 180 TYPE
 R: 90 TYPE
 G0: Gold flash
 G1: 3U" Gold
 G2: 5U" Gold
 G3: 10U" Gold
 G4: 15U" Gold
 G5: 30U" Gold

④ Packing method
 A: Tray packing
 R: Tape & reel packing

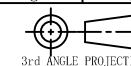
⑤ Product number
 CR2032W



PCB Layout Diagram
 Top View

Unless otherwise specified tolerance
 X. ± 0.35 X.XX: ± 0.20
 X.X: ± 0.25 X.XXX: ± 0.15

SCALE: As Shown UNIT: mm
 DRAW ZLA DATE 24/02/2022
 CHECK BobYang DATE 24/02/2022



Antenk ANTENK ELECTRONICS CO., LTD
 Http://www.antenk.com
 E-mail:sales@antenk.com

TITLE:
 Coin Cell Holders FOR CR2032

DRAWING NO: BT-S-SN-R-CR2032W

PRODUCT NO: BT-S-SN-R-CR2032W

REV	DESCRIPTION	DATE
1		
2		
3		
4		
5		